

- Flammable, oxygen or toxic gases
- Wide range of enclosures, wall-panel mount, desktop or floor standing
- 3 adjustable alarm trip points
- 3 alarm relays per module
- Unlimited number of sensor points
- Standby battery charger module
- High integrity system
- 4 - 20mA output per module



The GDS 2010 has been designed with features that will provide an effective response to the detection and control of gas hazards in a wide range of industrial environments from boiler plant rooms to offshore petrochemical installations.

The system is offered in a wide range of enclosures, from single module din rail mounting to multi-channel interconnected 19" rack based tower systems of unlimited size.

Each alarm module operates independently having alarm status indicators, sounder and three alarm levels with individual relays for the control of remote safety systems. 4-20mA or 0-10V outputs are available for use in proportional control systems such as speed control of extractor fans.

Common alarm relays and indicators are available via an optional facilities module which can be plugged into any available module socket on the system. The facilities module can also be used remotely as a control and status indicator panel, having built-in sounder with sounder accept and alarm reset functions.

The advanced features designed into the GDS2010 system ensure ease of maintenance and provide the highest integrity rating, with the minimum loss of sensor cover should a fault condition occur.

Detector Module
Measuring Range

- 1 to 14 per 19" tray
- Combustible – % L.E.L
- Toxic – ppm
- Oxygen – % Vol
- Digital Display
- Power indicator – Green L.E.D
- Alarm Relays Inhibit – Amber L.E.D
- Alarms Lo-Hi-Red L.E.D (Alarms 1 & 2)
- Overrange-Red L.E.D (Alarm 3)
- Fault – Amber L.E.D
- Alarms Lo, Hi SPCO N/D or N/E latched / unlatched
- Fault SPCO N/D or N/E latched/unlatched
- All relays rated 5A/230vAC
- Alarm relays, inhibit switch
- Alarms 1,2,3, Fault Disable option
- 4-20mA –250 Ω
- 0-10v – 1K Ω
- 4-20mA – 2/3 wire
- Bridge type 3 wire-mv

Indicators

Relays

Audible Alarm

Analogue Output

Sensor Inputs

Facilities Module
Indicators

Relays Common

Audible Alarm

Standby Battery Module
Indicators

Charging Method
Load Capacity @24v

Miscellaneous
Sensor Cable

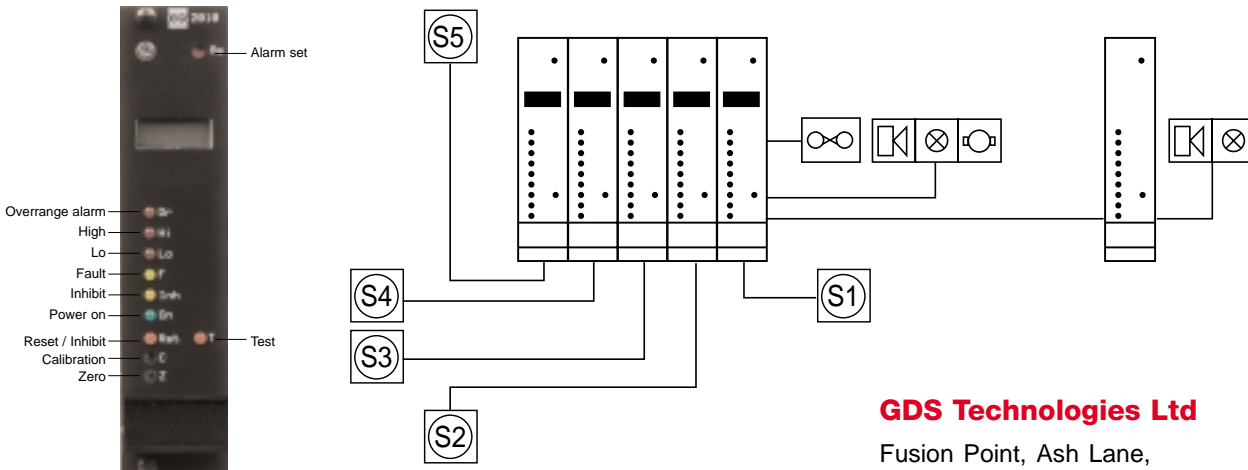
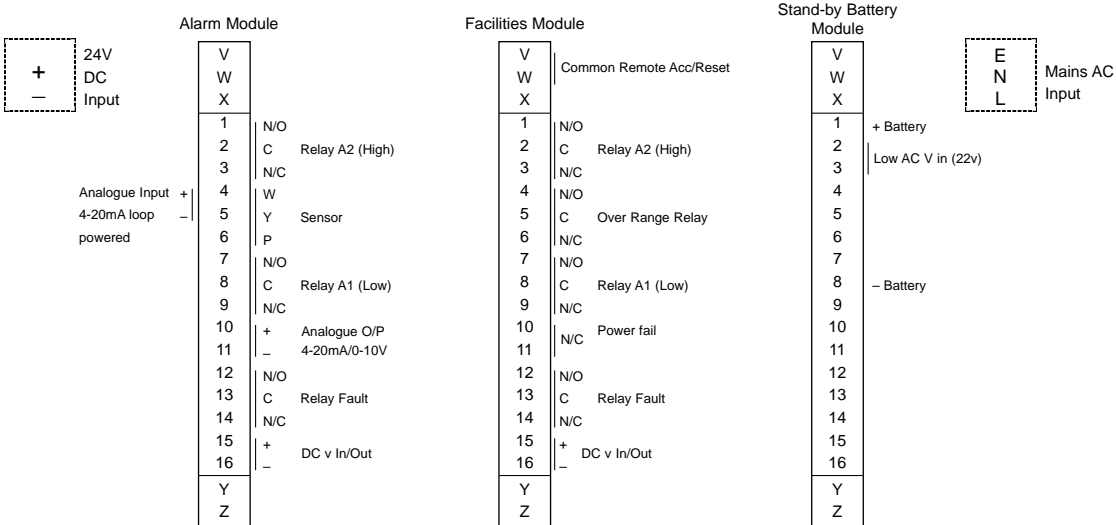
Field Terminals

Module Dimensions

Environmental

- 1 per System
- Power-Green LED
- Alarms Lo, Hi, Overrange-Red LED
- Fault-Amber LED
- Alarms Lo, Hi, Overrange, Fault, SPCO
- N/D or N/E latched/unlatched
- Mains fail N/E unlatched
- All relays rated 5A/230vAC
- Alarms Lo, Hi, Fault Disable option
- 1 per System - 24vDC
- Power-Green LED
- High Battery Volts - Red LED
- Low Battery Volts - Red LED
- Charge Fail - Amber LED
- Constant Voltage
- 2A standard 7A option
- Screened 1.5mm²
- Bridge - 1km
- 4-20mA - 2.5km
- Screw type up to 2.5mm
- 3U High (128mm)
- 6E Wide (30mm) Depth (160mm)
- Operating Temp -10 to 50°C
- Humidity 0 - 90 RH

Alarm/Facilities/Stand-by Battery Charger – mother board field terminal connections



GDS Technologies Ltd

Fusion Point, Ash Lane,
Garforth, Leeds UK LS25 2GA
Tel +44 (0)113 286 0166
Tel +44 (0)113 287 8178
sales@gds-technologies.co.uk
www.gds-technologies.co.uk

