

Marine Test Case Pressure and Temperature

E0 test kit MTS500M for Pressure and Temperature

Our Mini test Case meet most applications on board Mercantile Vessels as well as Naval Vessels and mobile Offshore Drilling Units refer to pressure and temperature. Our Mini system makes it easy to adjust to the specific needs you might have on certain vessels for pressure and temperature. All Test Cases comes complete with necessary accessories.

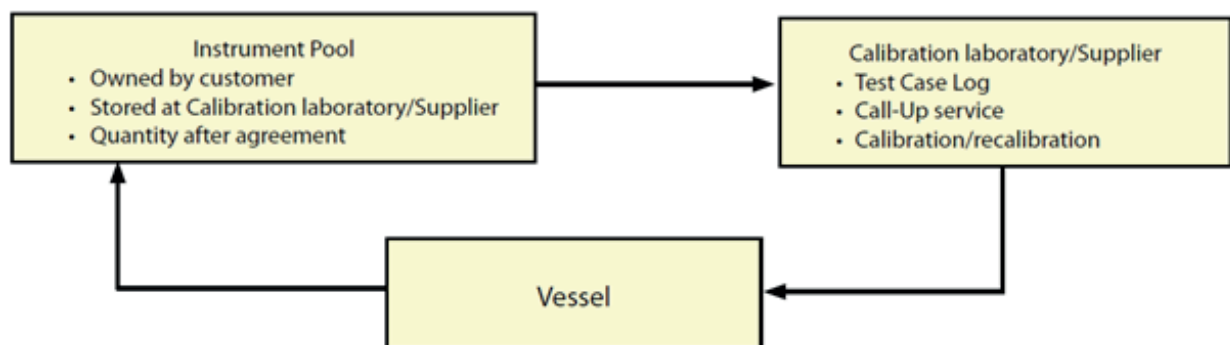
On-board you need all the help that you can get.

We now offer a complete family of tools for maintenance of your control instrumentation.

A vessel is often like a process plant, you never know what's going to go wrong. Or worse yet, where. When you're not sure what the problem is, our range of test equipment are the best help you can get in troubleshooting and calibration.



Easy system - helps you to meet SOLAS requirements





Temperature calibrator TC65

Environmental and regulatory requirements are important parts of QA-systems that has to be implemented on-board. Our portable temperature calibrators cover temperatures up to 650°C. Removable insert for increased flexibility.

- Temperature range 30-650°C
- Accuracy 1 year $\pm 1,5^{\circ}\text{C}$
- Accuracy 3 year $\pm 3,5^{\circ}\text{C}$



Pressure calibrator 60 Bar

This Pressure calibrator has been introduced to complement an already extensive range of pressure calibration products and can be used for calibration checks on pressure transmitters, pressure switches, indicators, recorders and controllers.

- Range -0,8 to 60 bar
- Fine adjustment
- Accuracy 1 year $\pm 0,2\%$ FS
- Accuracy 3 year $\pm 0,5\%$ FS



Adapter kits

The case comes with adapters to fit BSP and NPT .

- Adapterkit 1 includes four BSP to NTP adapters
- Adapterkit 2 includes three BSP to BSP adapters

Optional:

- Marine adapter, 40mm test flange
- Adapterkit 3, M16x2 F to 1/4" BSP M Quick Connector

IKM Instrutek AS is a leading supplier for calibration of instruments for vessels. We offer a maintenance scheme for our customers calibration kit, including a pool of re-certified test cases, ready to be shipped to vessels. We manage the system for our customers and ensure that traceable and certified instruments are available anytime. The Marine Test Case, Mini System, covers E0 requirements from SOLAS

We offer custom designed cases including a wide range of instruments including certificates and approvals for: Pressure, Temperature, Electrical and Gas

IKM Instrutek AS provide test cases, calibration- and service world-wide through a network of distributors and service partners.